

BBQ's on our Beaches

Cooking in our BBQ area:

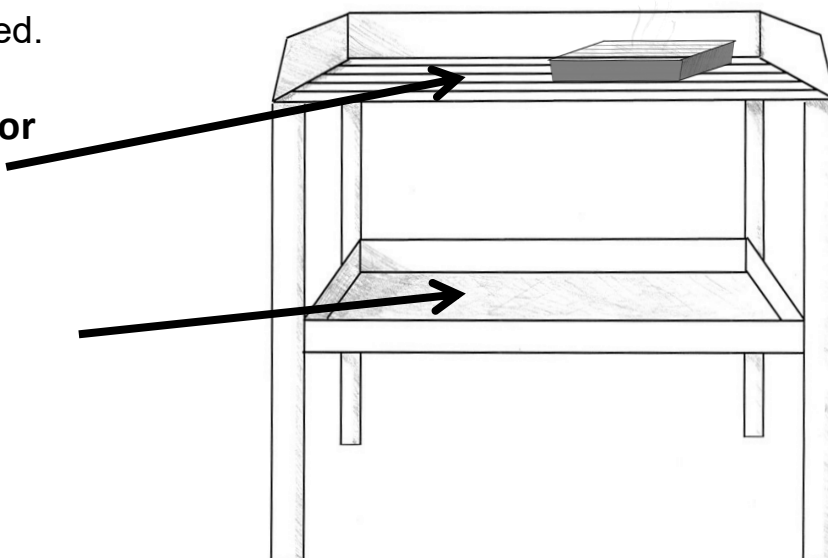
Please be aware that our metal tables are not BBQ's and we strongly recommend that you do not place food directly on them. The metal tables have been designed so that you can safely place a disposable BBQ on top of the table to allow for easier cooking. The bottom shelf is there to store tools, such as tongs and spatulas, whilst cooking.

Please remember to follow these precautions whilst enjoying your BBQ;

- Keep children and pets away from the BBQs.
- Games should not be played near to the BBQ area.
- Never leave a BBQ unattended.

Please place portable or disposable BBQ here

Please store tools, such as tongs or spatulas, packaged food and other utensils here.



Disposing of BBQ's:

Before moving a BBQ, put out the BBQ by pouring water over the coals, not sand, and wait for it to cool for safe disposal. **Please only dispose of hot ash and used BBQs in our designated bins**, these are the metal bins that can be found in the BBQ area. If these are full please place them on the floor **next to** our general waste bins along the promenade.

We do not allow gas BBQ's or open fires on our beaches. Please be aware that smoke from your barbecue can cause offence to other beach users, choose your spot carefully. Hazardous barbecues will be put out.



www.bcpCouncil.gov.uk

Sandbanks Beach Office - 01202 708181

